



## FEATURE

The SMK36270CAI OCXO is a cost effective stable oscillator for telecom applications.

Frequencies available are from 5 MHz to 40 MHz, and power supply options are 3.3 V, 5 V & 12 V.

They are optimized designs for the Stratum 3E and up to Stratum 2.

For new designs,

36\*27\*13mm

## APPLICATION

Stratum 3E timing modules

Time and frequency references

Wireless Base Stations

LTE-TDD Base Stations



## Specification for electrical appliances

Parameter	5.0V		12.0V		Unit
	MIN	MAX	MIN	MAX	
Supply Voltage(VDD) 5%	4.75	5.25	11.4	12.6	V
Frequency Range	5	40	5	40	MHz
Standard Frequency	10, 12.8, 20, 26, 40				
Frequency Tolerance*	±1.0		±1.0		ppb
Vs Load (±5%) change	±0.5		±0.5		ppb
Vs Aging	±0.5		±0.5		
Input power (warm up)	1.5		1.5		W
	3.5		3.5		W
Output Level	HCMOS				
Output voltage level high (VOH)	>4.5		>4.5		V
Output voltage level low (VOL)	<0.5		<0.5		
Rise & fall time	≤4.0		≤4		ns
Vc Input Impedance	15		15		pF
Phase Noise					dBc/Hz
10Hz	-120				
100Hz	-140				
1KHz	-150				
10KHz	-155				
Operating temperature range	-40	85	-40	85	° C

EMAIL: EVA@CIMAKE.COM.CN    MARK@CIMAKE.CO.UK

TEL: +44 0208 492 6388    FAX: +44 0208 492 0196

COMPANY ADDRESS: 419, HARBOME ROAD , EDGBASTON, BIRMING.B15 3LB



10.00MHz SMK36270CAI ocxo Frequency Tolerance

Frequency Range	Temp Range	Stability	Output Waveform	Supply Current
5.00 to 40.000MHz	(0 to 50° C)	±0.10ppb	HCMOS	120mA
	(-20 to 70° C)	±0.10ppb		
	(-30 to 75° C)	±0.10ppb		
	(-40 to 85° C)	±0.30ppb		

Environmental Parameters

Storage Temperature Range: - 50 to 90° C

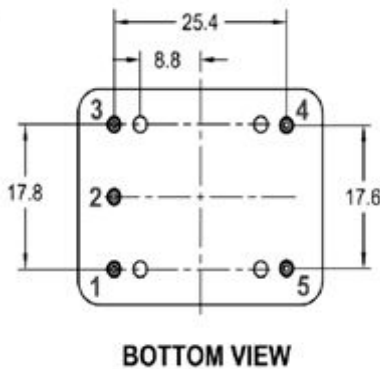
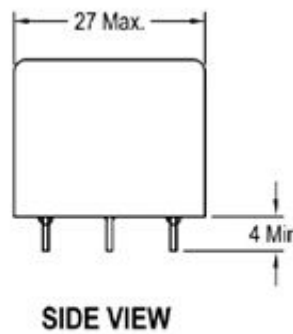
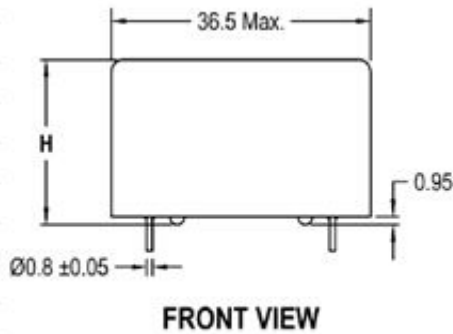
Frequency stability over temperature in still air

Shock: IEC 60068-2-27, Test Ea: 1500G acceleration for 6ms, 3 shocks in each of 3 mutually perpendicular planes

Vibration: IEC 60068-2-6, Test Fc, Procedure B4: 10Hz-60Hz, 1.5mm displacement, 60-2000Hz at 98.1m/s<sup>2</sup>, 30mins in 3 mutually perpendicular planes at 1 oct/min

Solderability: MIL-STD-202, Method 208, Category 3

DIMENSION (mm)



PIN	
1	NC
2	NC
3	Vcc
4	Output
5	GND

HEIGHT (H) OPTIONS:

H=12.7 mm

H=19.0mm

EMAIL: EVA@CIMAKE.COM.CN MARK@CIMAKE.CO.UK

TEL: +44 0208 492 6388 FAX: +44 0208 492 0196

COMPANY ADDRESS: 419, HARBOME ROAD , EDGBASTON, BIRMING. B15 3LB