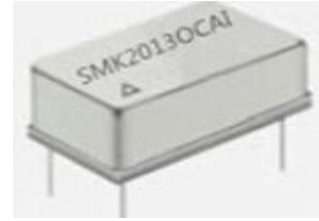




Description

Frequency stability over temperature as low as $\pm 0.5\text{ppm}$ over -40 to 85°C
 Low power consumption
 High reliability



Frequency Parameters

■ Frequency	10MHz-800MHz
■ Standard Frequency	500MHz
■ Frequency Tolerance @ 25°C	$\pm 0.5\text{ppm}$
■ Frequency Stability	$\pm 0.5\text{ppm}$

Electrical Parameters

■ Supply Voltage	5.0V
■ Supply Voltage Tolerance	$\pm 5\%$
■ Current Draw	45mA max

Operating Temperature Ranges

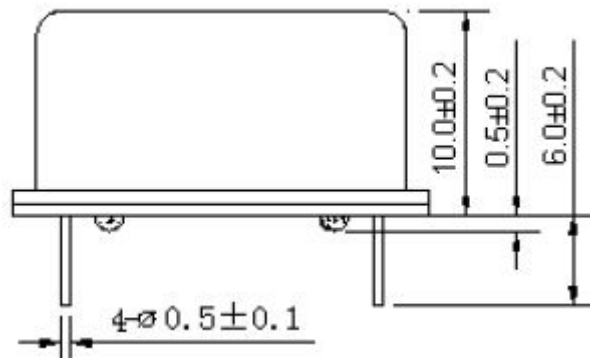
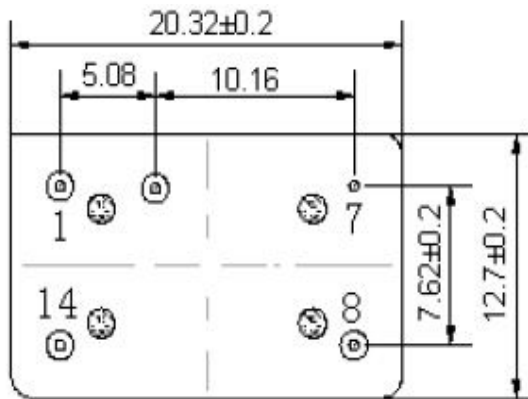
■ -40 to 85°C

Output Details

■ Output Compatibility	HCMOS
■ Output Load	15pF
■ Rise and Fall time (10% - 90%)	5ns max
■ Duty Cycle	45/55% max

Noise Parameters

Phase Noise (typical):	-80dBc/Hz @ 10Hz
	-115dBc/Hz @ 100Hz
	-135dBc/Hz @ 1KHz
	-150dBc/Hz @ 10KHz
	-155dBc/Hz @ 100KHz



PIN	
1	Nc
7	GND
8	Output
14	Vcc