



# UK SIMAKE COMMUNICATION GROUP LTD

Model:SMKMISB-10.000MHZ

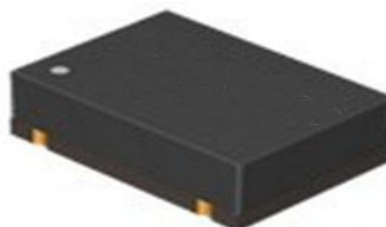
## FEATURE

The SMK7050TC encompasses Simake's new patented Pluto+ ASIC. Pluto+ advances on the world famous best - in - class' Pluto ASIC technology by delivering exceptional phase noise and jitter performance and enhanced frequency versus temperature stability.

## Applications

7.0 x 5.0 x 2.2 mm

- Time and frequency reference
- o Positioning
- o Test and Measurement
- o Telecommunications
- o Hi - Rel / Defense



## Specification for electrical appliances

Parameter	3.3V				Unit
	MIN		MAX		
Supply Voltage (VDD) 5%	3.135		3.465		V
Frequency Range	1.25		52		MHz
Frequency Stability	±0.05		±1.0		ppm
Standard Frequency	10.000000				MHz
Supply voltage stability	±0.025				V
Supply voltage, VCC	2.5		5.7		V
Current (C/Sine)	2				mA
Current (Sine)	8				
Current (HCMOS)	6				
Current (ACMOS)	8				
Input level low (pin 4)			0.4VCC		V
Input level high (pin 4)	3.0VCC				
Start - up time	5		15		ms
Frequency stability over temperature	±0.05		±2.5		ppm
Duty Cycle @50%	45		55		%
Output Load	15				pf
SSB Phase Noise ( 25° C)	19.2		50		MHz
10Hz	-100		-100		
100Hz	-120		-128		
1KHz	-135		-145		
10KHz	-140		-155		
100KHz	-148		-158		dBc/Hz
Operating temperature range	-40	85	-40	85	° C

EMAIL: EVA@CIMAKE.COM.CN    MARK@CIMAKE.CO.UK  
 TEL: +44 0208 492 6388    FAX: +44 0208 492 0196  
 COMPANY ADDRESS: 419, HARBOME ROAD , EDGBASTON, BIRMING. B15 3LB



### Standby Operation:

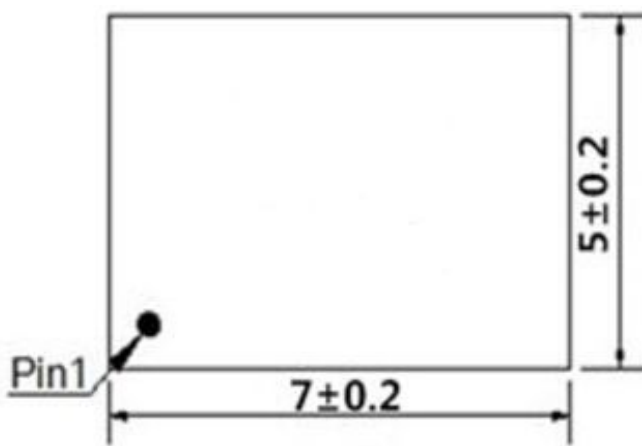
Logic '1' ( $\geq 70\%V_s$ ) to pad 1 enables oscillator output

Logic '0' ( $\leq 30\%V_s$ ) to pad 1 disables oscillator output; when disabled the oscillator output goes to the high impedance state

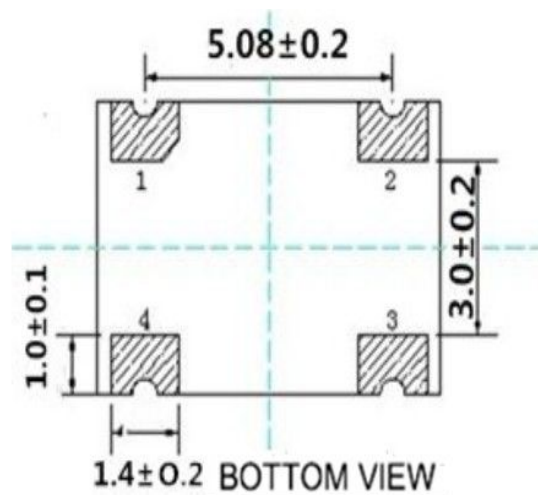
No connection to pad 1 enables oscillator output

Standby Current:  $10 \mu A$  max

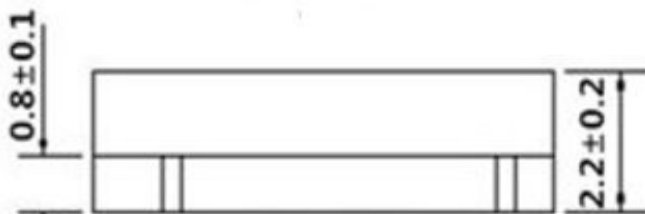
### Outline (mm)



TOP VIEW



BOTTOM VIEW



FRONT VIEW

PIN	
1	GND/NC
2	GND
3	OUTPUT
4	Vcc