



**FEATURE**

The SMK7050TC encompasses Simake's new patented Pluto+ ASIC. Pluto+ advances on the world famous best - in - class' Pluto ASIC technology by delivering exceptional phase noise and jitter performance and enhanced frequency versus temperature stability.

**Applications**

- Time and frequency reference
- o Positioning
- o Test and Measurement
- o Telecommunications
- o Hi - Rel / Defense

7.0 x 5.0 x 2.0 mm

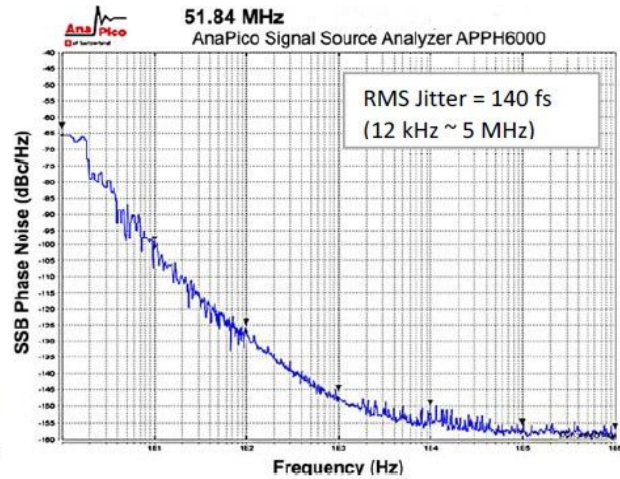
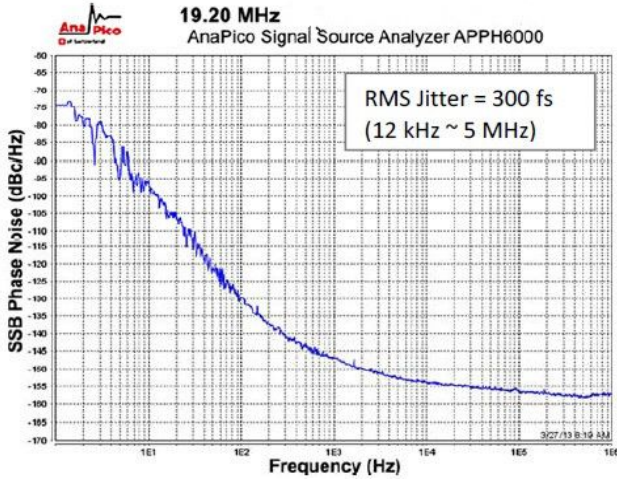


**Specification for electrical appliances**

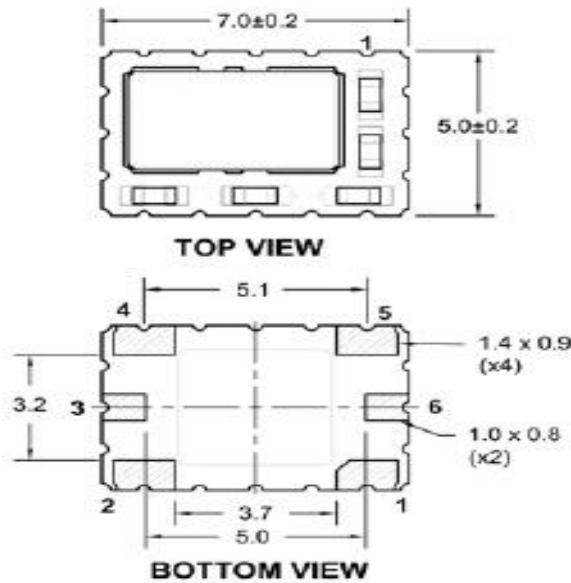
Parameter	3.3V		Unit		
	MIN	MAX			
Supply Voltage(VDD) 5%	3.135	3.465	V		
Frequency Range	1.25	52	MHz		
Frequency Stability	±0.05	±2.5	ppm		
Standard Frequency	10.12.8, 16.384, 16.8, 19.2, 19.44, 20, 25, 26, 30.72, 38.88, 40,		MHz		
Control voltage, Vc 1.5V	0.5	2.5	V		
Frequency tuning ≤26MHz	±5		ppm		
Frequency tuning >26MHz	±7				
Supply voltage stability	±0.025				
Supply voltage, VCC	2.5	5.7	V		
Current (C/Sine)	2		mA		
Current (Sine)	8				
Current (HCMOS)	4				
Current (ACMOS)	8				
Input level low (pin 6)	0.2VCC		V		
Input level high (pin 6)	0.6VCC				
Start - up time	5	15	ms		
Frequency stability over temperature	±0.05	±2.5	ppm		
			KΩ		
SSB Phase Noise ( 25° C)	19.2	51.84	MHz		
10Hz	-98	-100	dBc/Hz		
100Hz	-130	-128			
1KHz	-147	-145			
10KHz	-155	-155			
100KHz	-158	-158			
Operating temperature range	-55	125	-55	125	° C



## SSB Phase Noise (Typical value at 25°C)



### Outline (mm)



PIN CONNECTIONS	
1 *	Do Not Connect / Vc
2	GND
3 *	Do Not Connect / Vref / Ttemp
4	RF Output
5	Vcc
6	Enable
* Depending on specification	

### Test Circuit

#### 6 PIN TEST CIRCUIT:

