



UK SIMAKE COMMUNICATION GROUP LTD

Model:SMK7050TC-30.72MHz

FEATURE

The SMK7050TC encompasses Simake's new patented Pluto+ ASIC. Pluto+ advances on the world famous best - in - class' Pluto ASIC technology by delivering exceptional phase noise and jitter performance and enhanced frequency versus temperature stability.

Applications

- Time and frequency reference
- o Positioning
- o Test and Measurement
- o Telecommunications
- o Hi - Rel / Defense

7.0 x 5.0 x 2.2 mm



Specification for electrical appliances

Parameter	3.3V		Unit		
	MIN	MAX			
Supply Voltage (VDD) 5%	3.135	3.465	V		
Frequency Range	1.25	52	MHz		
Frequency Stability	±0.5	±2.5	ppm		
Standard Frequency	30.72		MHz		
Supply voltage stability	±0.025		V		
Supply voltage, VCC	2.5	5.7	V		
Current (C/Sine)	2		mA		
Current (Sine)	8				
Current (HCMOS)	6				
Current (ACMOS)	8				
Input level low (pin 4)		0.4VCC	V		
Input level high (pin 4)	3.0VCC				
Start - up time	5	15	ms		
Frequency stability over temperature	±0.05	±2.5	ppm		
Duty Cycle @50%	45	55	%		
Output Load	15		pf		
SSB Phase Noise (25° C)	19.2	50	dBc/Hz		
10Hz	-90	-100			
100Hz	-110	-128			
1KHz	-130	-145			
10KHz	-140	-155			
100KHz	-148	-158			
Operating temperature range	-40	85	-40	85	° C

EMAIL: EVA@CIMAKE.COM.CN MARK@CIMAKE.CO.UK
 TEL: +44 0208 492 6388 FAX: +44 0208 492 0196
 COMPANY ADDRESS: 419, HARBOME ROAD , EDGBASTON, BIRMING. B15 3LB



Standby Operation:

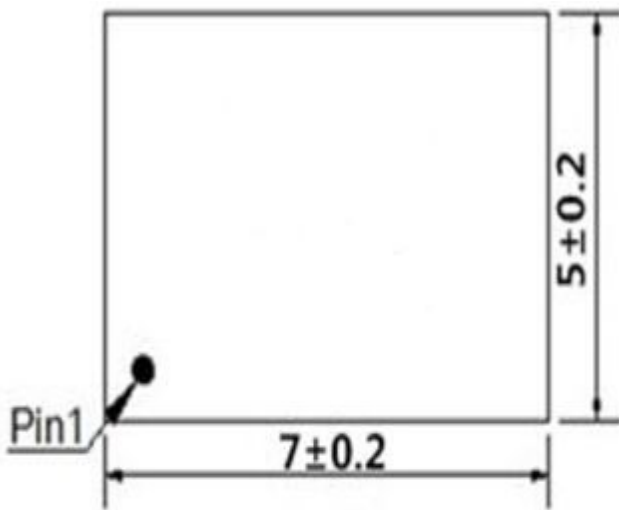
Logic '1' ($\geq 70\%V_s$) to pad 1 enables oscillator output

Logic '0' ($\leq 30\%V_s$) to pad 1 disables oscillator output; when disabled the oscillator output goes to the high impedance state

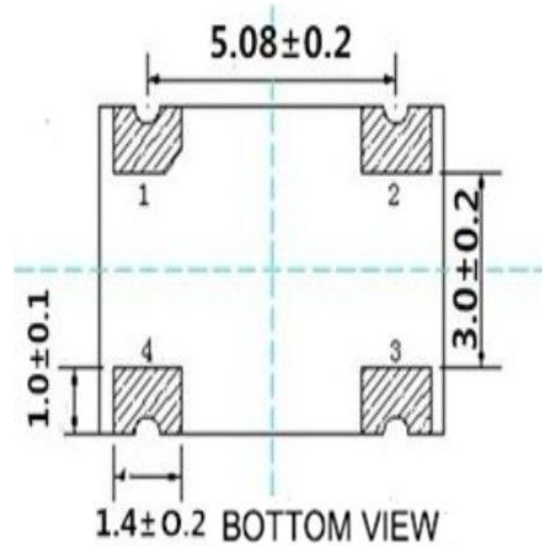
No connection to pad 1 enables oscillator output

Standby Current: $10 \mu A$ max

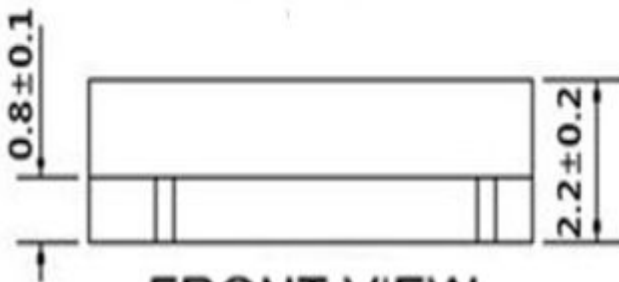
Outline (mm)



TOP VIEW



BOTTOM VIEW



FRONT VIEW

PIN	
1	GND/NC
2	GND
3	OUTPUT
4	V _{cc}