



Crystal Oscillator

High Performance TCXO in a 7 x 5 mm Surface Mount package with selectable output

Applications

7.0*5.0*2.2mm

- Base stations
- Consumer
- Communications
- DSL/ADSL
- Ethernet
- Wi-Fi
- WiMAX/W-LAN



Specification for electrical appliances

Parameter	3.3V		Unit
	MIN	MAX	
Supply Voltage (VDD) 5%	3.135	3.465	V
Frequency Range	8-52		MHz
Frequency Stability	±0.28-±1.0		ppm
Supply Current 25°C	≤5		mA
Output Waveform	HCMOS		
Output Levels (VoH)	≥3.0		Vs
Output Levels (VoL)	≤0.4		
Output Load	15		pF
Start-up time	10		ms
Rise & Fall time	≤4		ns
Duty Cycle	45	55	%
Phase Noise			dBc/Hz
10Hz	-75		
100Hz	-105		
1KHz	-125		
10KHz	-140		
100KHz	-145		
Storage Temperature Range	-55	125	° C
Operating Temperature Ranges	-40	85	° C

Specifications subject to change without notice

TEL: +44 0208 492 6388 FAX: +44 0208 492 0196

Greater China office:

TEL:86-0755-26906691 FAX: 86-0755-26906690

E-MAIL: eva@ciake.com.cn mark@cimake.co.uk

Wabsite:www.cimake.com.cn www.cimake.co.uk

Company address: 419, Harbome Road Edgbaston, Birming.B15 3LB



MANUFACTURING INFORMATION

Line Parameter	Description
Packaging Description	Tape and reel. Standard packing quantity is 2000 per reel
Reflow	Solder reflow process as per attached profile

ENVIRONMENTAL SPECIFICATIONS

Line Parameter:	Description
Mechanical Shock:	MIL-STD-883, Method 2002
Storage Temperature range	-55 to 125 ° C
Humidity :	After 48 hours at 85 ° C \pm 2 ° C 85% relative humidity non-condensing
Thermal Shock:	MIL-STD-883, Method 1011
Vibration:	MIL-STD-883, Method 2007
Gross and Fine Leak:	MIL-STD-883, Method 1014
RoHS Compliant:	Yes

PIN CONNECTIONS

Line Parameter	Description
Pin 1	VCO
Pin 2	GND
Pin 3	OUTPUT
Pin 4	VDD

TEL: +44 0208 492 6388 FAX: +44 0208 492 0196

Greater China office:

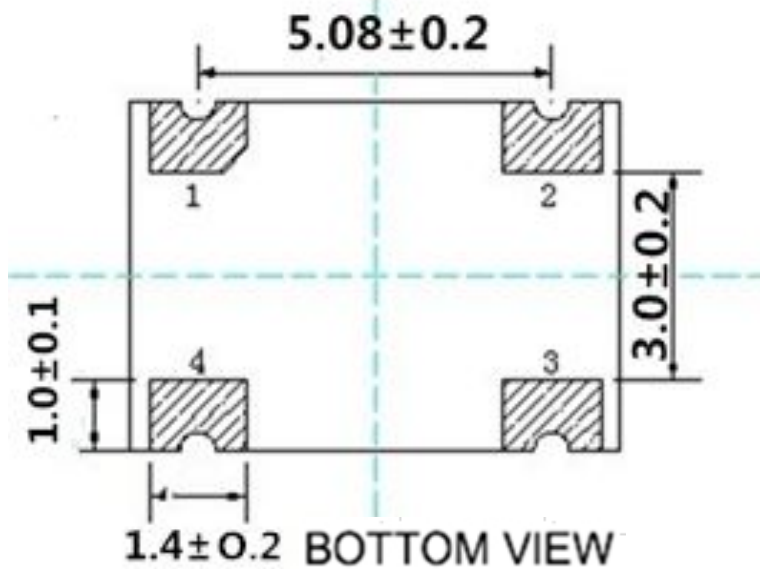
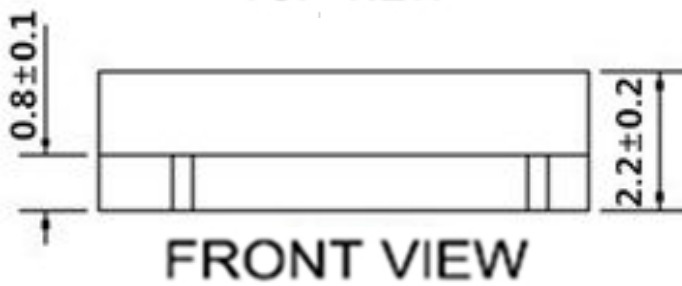
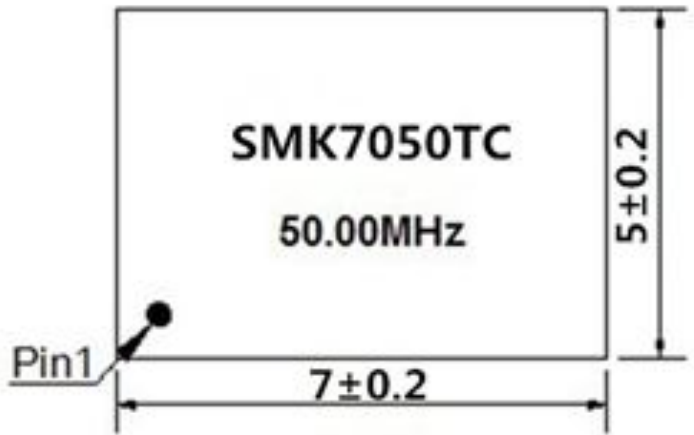
TEL:86-0755-26906691 FAX: 86-0755-26906690

E-MAIL: eva@ciake.com.cn mark@cimake.co.uk

Wabsite:www.cimake.com.cn www.cimake.co.uk

Company address: 419, Harbome Road Edgbaston, Birming. B15 3LB

DIMENSION (mm)



TEL: +44 0208 492 6388 FAX: +44 0208 492 0196

Greater China office:

TEL: 86-0755-26906691 FAX: 86-0755-26906690

E-MAIL: eva@ciake.com.cn mark@cimake.co.uk

Website: www.cimake.com.cn www.cimake.co.uk

Company address: 419, Harbome Road Edgbaston, Birming. B15 3LB